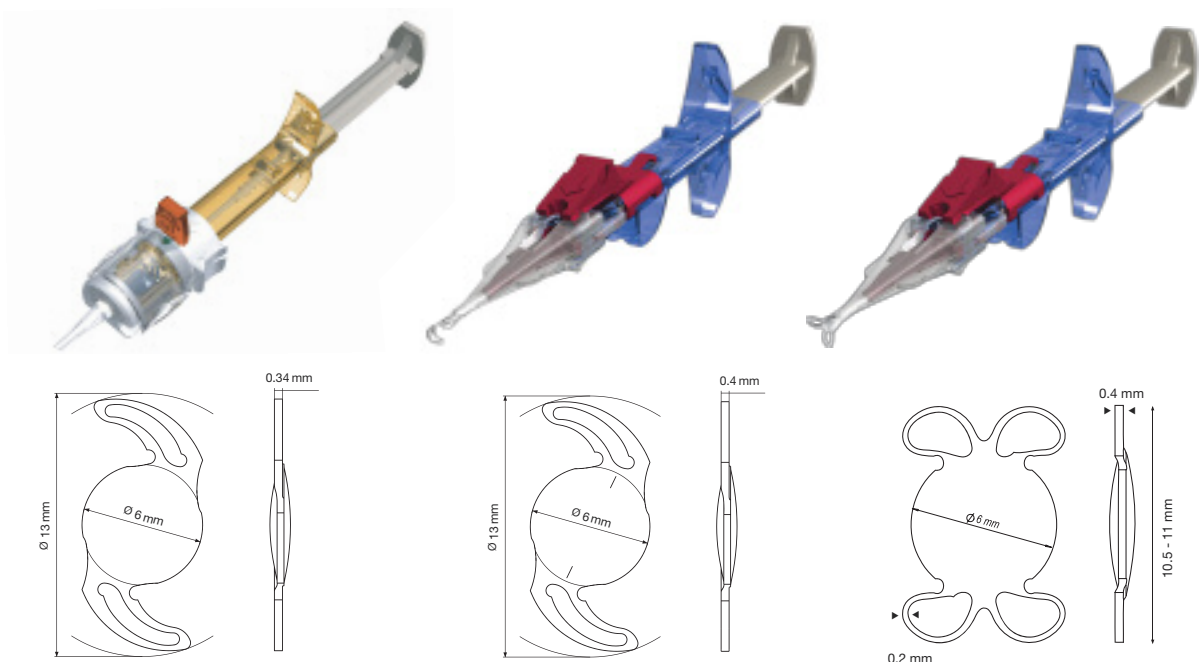


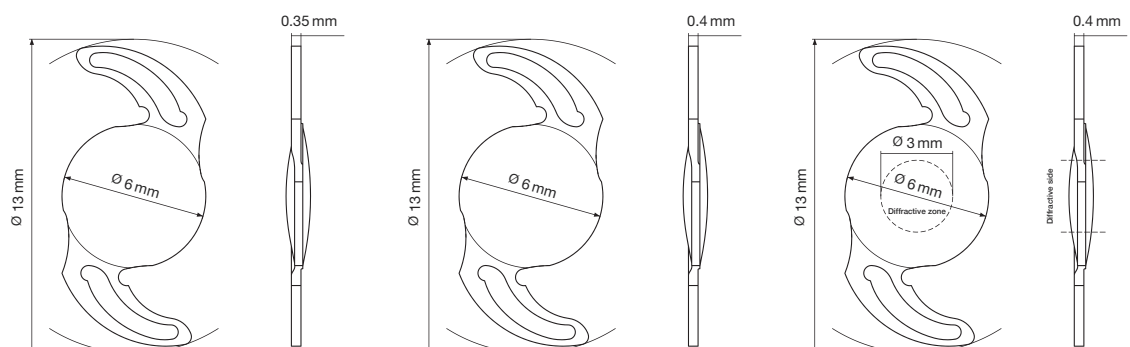
# PRELOADED IOL PORTFOLIO

Name	Bi-Flex POB-MA Preloaded System		Bi-Flex PIL-MA Preloaded System		Q-Flex PIL-MA Preloaded System	
	Reference	877PA	877PAY	677P	677PY	640P
Type	Single-piece Monofocal Aspheric Hydrophobic IOLs, clear and yellow, preloaded in a single use injector		Single-piece Monofocal Aspheric Hydrophilic IOLs, clear and yellow, preloaded for a single use injector		Single-piece Monofocal Aspheric Hydrophilic IOLs, clear and yellow, preloaded for a single use injector	
Optic	Aspheric		Aspheric		Aspheric	
PCO protection	360° Special Square Edge (patented)		360° Special Square Edge (patented)		360° Special Square Edge (patented)	
Estimated incision size	2.2 mm		2.2 mm		2.2 mm	
Powers available	-10.0D → +9.0D (increment: 1.0 D) +10.0D → +30.0D (increment: 0.5 D) +31.0D → +35.0D (increment: 1.0 D)		-10.0 D → -1.0 D (increment: 1.0 D) 0.0 D → +30.0 D (increment: 0.5 D) +31.0 D → +35.0 D (increment: 1.0 D)		0.0 D → 30.0 D (increment: 0.5 D) +31.0 D → +35.0 D (increment: 1.0 D)	
A-Constant	118.9 (SRK/T)		118.9 (SRK/T)		118.9 (SRK/T)	
Sterilization	Ethylene-oxide		Steam		Steam	
Material	Hydrophobic Acrylic with UV absorber		Copolymer of hydrophobic and hydrophilic monomers 25% water content with UV Absorber		Copolymer of hydrophobic and hydrophilic monomers 25% water content with UV Absorber	
Blue light filter	No	Yes	No	Yes	No	Yes
Optic design	Biconvex		Biconvex		Biconvex	
Overall length	13.0 mm		13.0 mm		0.0 D → +15.0 D · 11.0 mm +15.5 D → +22.0 D · 10.7 mm +22.5 D → +35.0 D · 10.5 mm	
Optic diameter	6.0 mm		6.0 mm		6.0 mm	
Haptic angulation	0° – asymmetrical design		0° – asymmetrical design		0° – asymmetrical design	



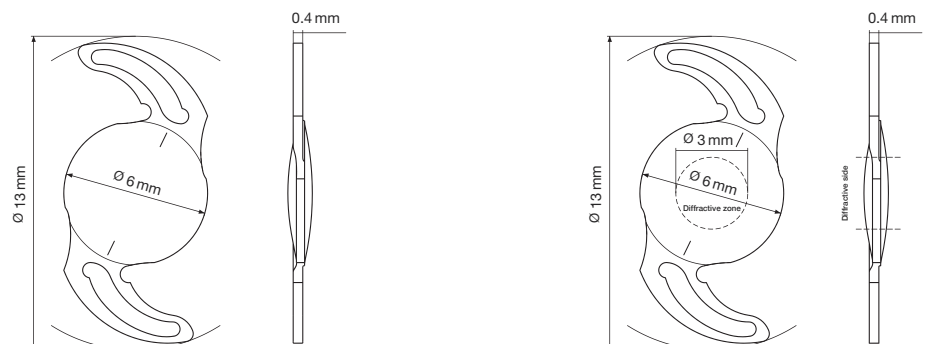
# NON-PRELOADED IOL PORTFOLIO

Name	Bi-Flex HB		Bi-Flex HL		Bi-Flex M
Reference	877FAB	877FABY	677AB	677ABY	677MY
Type	Single-piece Monofocal Aspheric Hydrophobic Intraocular Lens for implantation into the capsular bag		Single-piece Monofocal Aspheric Hydrophilic Intraocular Lens for implantation into the capsular bag		Single-piece Multifocal Aspheric Hydrophilic Intraocular Lens for implantation into the capsular bag
Optic	Refractive – Aspheric		Aspheric		Progressive Apodized Diffractive – Aspheric
PCO protection	360° Special Square Edge (patented)		360° Special Square Edge (patented)		360° Special Square Edge (patented)
Estimated incision size	2.4 mm		from 1.8 to 2.2 mm		from 1.8 to 2.2 mm
Powers available	0.0 D → +9.0 D · (increment: 1.0 D) +10.0 D → +30.0 D · (increment: 0.5 D) +31.0 D → +35.0 D · (increment: 1.0 D)		-10.0 D → +9.0 D · (increment: 1.0 D) +10.0 D → +30.0 D · (increment: 0.5 D) +31.0 D → +45.0 D · (increment: 1.0 D)		0.0 D → +35.0 D · (increment: 0.5 D)
Cylinders available	–		–		–
Addition	–		–		+3.5 D
A-Constant	118.9 (SRK/T)		118.1 (SRK/T)		118.9 (SRK/T)
Sterilization	Ethylene-oxide		Steam		Steam
Material	Hydrophobic Acrylic with UV absorber	+ blue light filter	Copolymer of Hydrophilic and Hydrophobic Acrylic, 25% water content with UV Absorber	+ blue light filter	Copolymer of Hydrophilic and Hydrophobic Acrylic, 25% water content with UV absorber + blue light filter
Refractive index	1.47		1.46		1.46
ABBE number	58		58		58
Optic design	Biconvex		Biconvex		Biconvex
Diffractive zone	–		–		Anterior surface (diameter 3.0 mm)
Overall length	13.0 mm		13.0 mm		13.0 mm
Optic diameter	6.0 mm		6.0 mm		6.0 mm
Haptic thickness	0.35 mm		0.40 mm		0.40 mm
Haptic angulation	0° – asymmetrical design with posterior vaulting		0° – asymmetrical design with posterior vaulting		0° – asymmetrical design with posterior vaulting
Temperature	+15 – +35°C		+15 – +35°C		+15 – +35°C
Humidity	15% – 50%		15% – 50%		15% – 50%
Shelf life	5 years (from sterilization)		5 years (from sterilization)		5 years (from sterilization)



# NON-PRELOADED IOL PORTFOLIO

Name	Bi-Flex T				Bi-Flex MT
Reference	677TA	677TB	677TAY	677TBY	677MTY
Type	Single-piece Monofocal Toric Aspheric Hydrophilic Intraocular Lens for implantation into the capsular bag				Single-piece Multifocal Toric Aspheric Hydrophilic Intraocular Lens for implantation into the capsular bag
Optic	Toric – Aspheric	Bitoric – Aspheric	Toric – Aspheric	Bitoric – Aspheric	Progressive Apodized Diffractive / Toric – Aspheric
PCO protection	360° Special Square Edge (patented)				360° Special Square Edge (patented)
Estimated incision size	from 2.2 to 2.4 mm				from 2.2 to 2.4 mm
Powers available	-10.0 D → -1.00 D · (increment: 1.0 D) 0.0 D → +30.0 D · (increment: 0.5 D) +31.0 D → +35.0 D · (increment: 1.0 D)				+10.0 D → +30.0 D · (increment: 0.5 D) +31.0 D → +35.0 D · (increment: 1.0 D)
Cylinders available	1.0; 1.5 D → 9.0 D (increment: 0.75 D); 10.0 D	+11.0 D → +24.0 D (increment: 1.0 D)	1.0; 1.5 D → 9.0 D (increment: 0.75 D); 10.0 D	+11.0 D → +24.0 D (increment: 1.0 D)	1.0 D → 4.5 D · (increment: 0.5 D) 5.25 D → 6.0 D · (increment: 0.75 D)
Addition	–	–	–	–	+3.5 D
A-Constant	118.9 (SRK/T)				118.9 (SRK/T)
Sterilization	Steam				Steam
Material	Copolymer of Hydrophilic and Hydrophobic Acrylic, 25 % water content with UV absorber		+ blue light filter		Copolymer of Hydrophilic and Hydrophobic Acrylic, 25% water content with UV absorber + blue light filter
Refractive index	1.46				1.46
ABBE number	58				58
Optic design	Biconvex				Biconvex
Diffractive zone	–				Anterior surface (diameter 3.0 mm)
Overall length	13.0 mm				13.0 mm
Optic diameter	6.0 mm				6.0 mm
Haptic thickness	0.40 mm				0.40 mm
Haptic angulation	0° – asymmetrical design with posterior vaulting				0° – asymmetrical design with posterior vaulting
Temperature	+15 – +35°C				+15 – +35°C
Humidity	15% – 50%				15% – 50%
Shelf life	5 years (from sterilization)				5 years (from sterilization)



# NON-PRELOADED IOL PORTFOLIO

Name	Q-Flex		Q-Flex M	Scharioth Macula Lens	
Reference	640AB	640ABY	640MY	A45SML	A45SMY
Type	Single-piece Monofocal Aspheric Hydrophilic IOLs for implantation into the capsular bag		Single-piece Multifocal Aspheric Hydrophilic IOL for implantation into the capsular bag	Single-piece foldable Intraocular Lens for implantation into the ciliary sulcus in addition to a primary IOL in the patient's pseudophakic eye	
Optic	Aspheric		Progressive Apodized Diffractive – Aspheric	Aspheric – Bifocal	
PCO protection	360° Special Square Edge (patented)		360° Special Square Edge (patented)	–	
Estimated incision size	from 1.8 to 2.2 mm		from 1.8 to 2.2 mm	2.2 mm	
Powers available	0.0 D → +9.0 D · (1.0 D steps) +10.0 D → +30.0 D · (0.5 D steps) +31.0 D → +35.0 D · (1.0 D steps)		0.0 D → +35.0 D (increment: 0.5 D)	-5.0 D → +5.0 D (increment: 0.5 D)	
Cylinders available	–		–	–	
Addition	–		+3.0 D; +3.5 D	+10.0 D	
A-Constant	118.1 (SRK/T)		118.9 (SRK/T)	–	
Sterilization	Steam		Steam	Steam	
Material	Copolymer of Hydrophilic and Hydrophobic Acrylic, 25% water content with UV Absorber + blue light filter		Copolymer of Hydrophilic and Hydrophobic Acrylic, 25% water content with UV absorber + blue light filter	Copolymer of Hydrophilic and Hydrophobic Acrylic, 25% water content with UV absorber + blue light filter	
Refractive index	1.46		1.46	1.46	
ABBE number	58		58	58	
Optic design	Biconvex		Biconvex	Biconvex	
Diffractive zone	–		Anterior surface (diameter 3.0 mm)	–	
Overall length	0.0 D → +15.0 D · 11.0 mm +15.5 D → +22.0 D · 10.7 mm +22.5 D → +35.0 D · 10.5 mm		+0.0 D → +15.0 D · 11.0 mm +15.5 D → +22.0 D · 10.7 mm +22.5 D → +35.0 D · 10.5 mm	13.0 mm	
Optic diameter	6.0 mm		6.0 mm	6.0 mm	
Haptic thickness	0.40 mm		0.40 mm	0.30 mm	
Haptic angulation	0° – asymmetrical design with posterior vaulting		0° – asymmetrical design with posterior vaulting	0° – asymmetrical design with posterior vaulting	
Temperature	+15 – +35°C		+15 – +35°C	+15 – +35°C	
Humidity	15% – 50%		15% – 50%	15% – 50%	
Shelf life	5 years (from sterilization)		5 years (from sterilization)	5 years (from sterilization)	

